

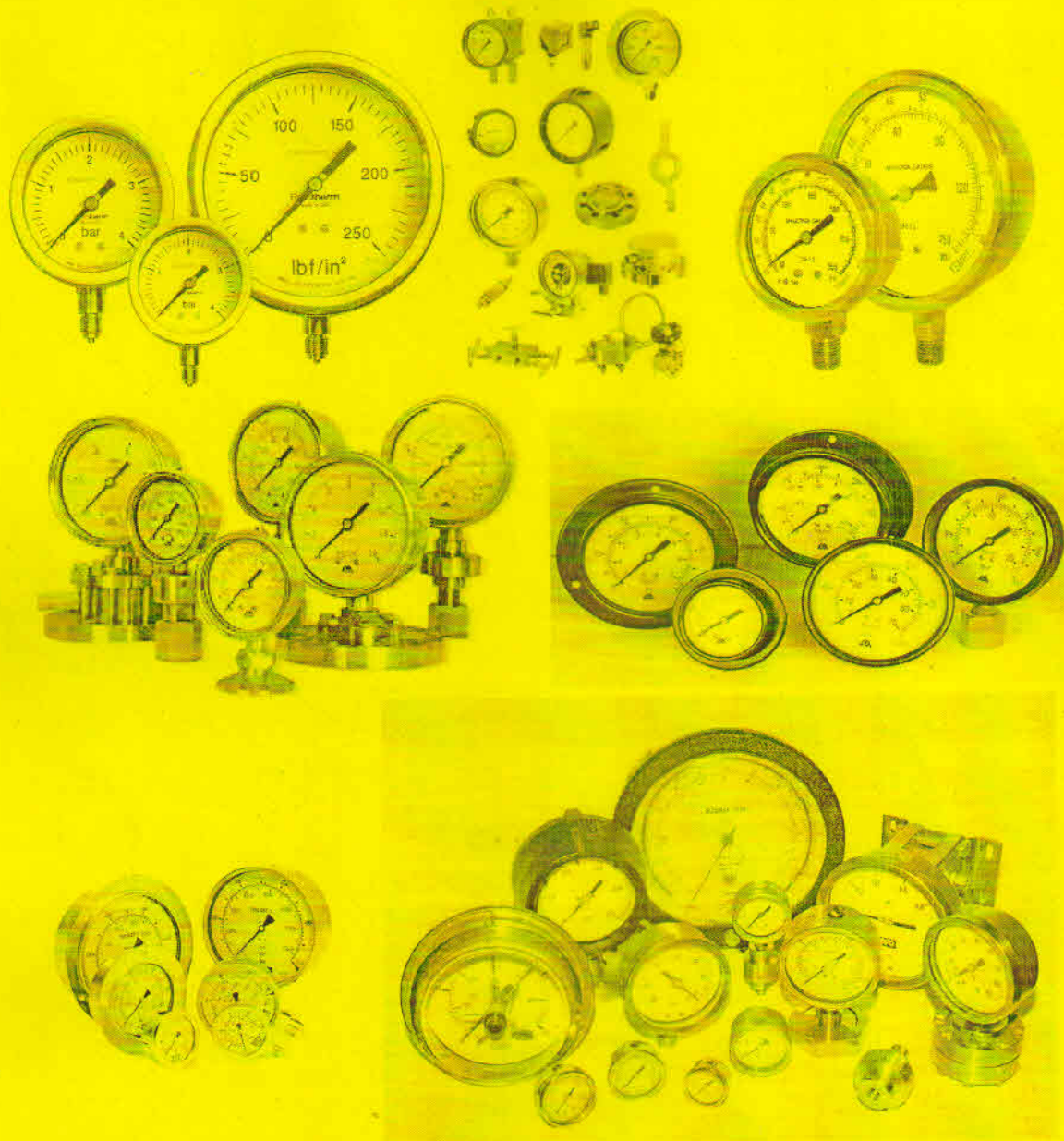
# ANAND INDUSTRIES



ANAND INDUSTRIES

INDIA

# ANAND ANALOG BOURDON TYPE PRESSURE GAUGE



ANAND INDUSTRIES, 231.112

[www.anandindia.co.in](http://www.anandindia.co.in)



### Introduction

ANAND Bourdon Type Pressure gauges are instruments designed to measure the pressure of instrument air in a system with small dial. Measuring the pressure in Positioner, air filter regulator in system is a critical quality step to ensure consistency of a product and safety check to be aware of leaks or building pressure in a system.

### Application

Suitable for measuring pressure of process applications with precision accuracy

TYPE	Analog Dial Type Pressure Gauges
MOUNTING	Direct Centre Back entry - 8
DIAL SIZE	Available in various dial sizes of 40 ,50 ,63 MM Anodized Aluminum White with Black / Red Numerals for Dual Scale (As per requirement) having sweep angle of 270 Deg
ACCURACY	Available in +/- 1.6%,2.0%,2.5% FSD (As per requirement)
OVER RANGE PROTECTION	130% of FSR as applicable as per standard
ZERO ADJUSTMENT	Internal through Aluminum Black Colored Light weight Zero Adjustable Pointer (STD)
MFG.STANDARD	EN-837 1 / IS 3624
CASE MATERIAL	SS 304
BEZEL	Push Fit type SS 304 for small dial gauges (As per requirement)
ENCLOSURE CLASS	IP-65
WINDOW	Float Glass / Safety Shatter Proof / Perspex
SENSING ELEMENT	Bourdon Tube argon welded
SENSING MATERIAL	Non Ferrous / SS 304 / SS 316 / SS 316 L directly connected with the socket (As per requirement)
MOVEMENT MATERIAL	Non Ferrous / SS 304 / SS 316 (As per requirement)
BLOCK / SOCKET MATERIAL	Non Ferrous / SS 304 / SS 316 / SS 316 L Screwed or Welded with the case (As per requirement)
CONNECTION SIZE	1/8" NPT, 1/4" NPT in Male or Female and also in BSP / BSPT (As per requirement)
TEMPERATURE	0 to 160 Degree C (Max) for Dry & 0 to 60 Deg C for Glycerin filled gauges (As per requirement)
STANDARD FITMENT	Anodized Aluminum Black light weight zero adjustable pointer, Blow Out Disc of neoprene at top (As per requirement)
RANGE	Available in 0 to 0.6,1,1.6,2,2.1, 2.5,3,4,4.2, 6,7,10,16,25,40,60 and all standard ranges
MODEL NO (Illustration)	P 40-50-63-5-6-8-G-SS P For Pressure Gauge 40 For 40 MM Dial, 50 For 50 MM Dial, 63 For 63 MM Dial 5 For Wetted Parts of SS / 6 For Non-Ferrous 8 For Direct Centre Back Entry G For Glycerin Filled SS For SS Case & Bezel

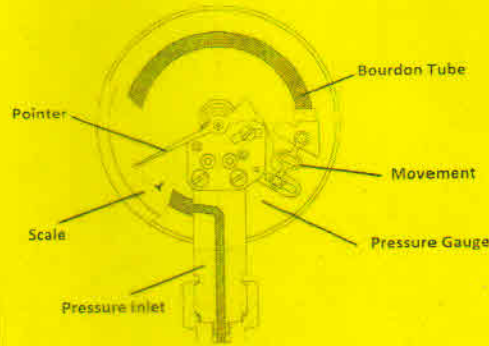
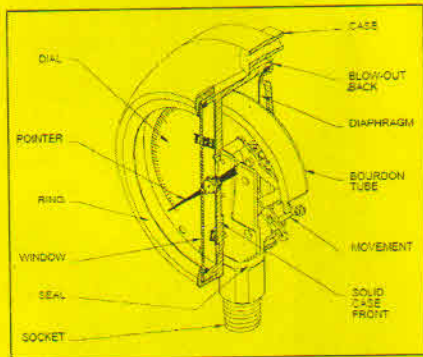


Figure 4: Bourdon Tube



**ANAND INDUSTRIES, INDIA**

[www.anandindia.co.in](http://www.anandindia.co.in)